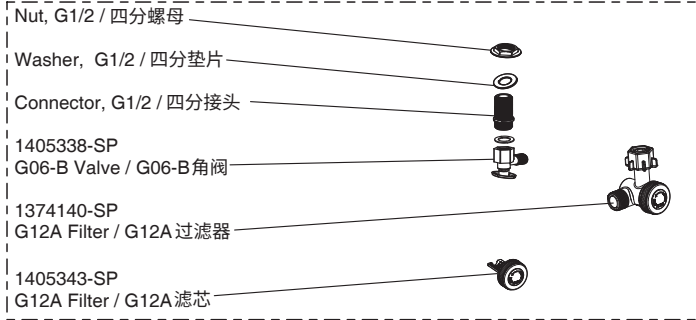
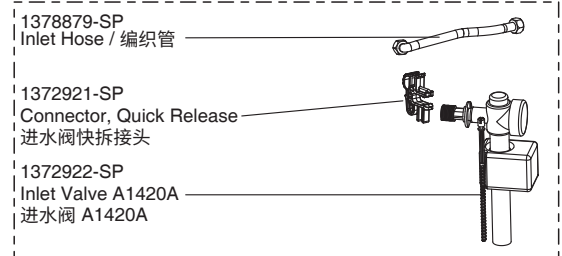


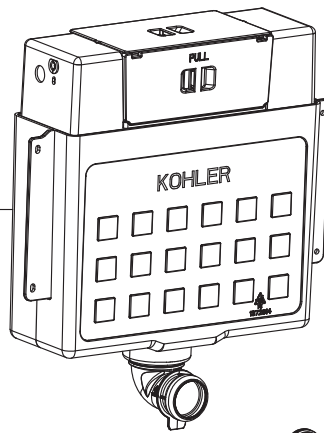
**Inlet Mounting Kit / 进水安装组件**



**1372920-SP Fill Valve Assy./ 进水阀组件**



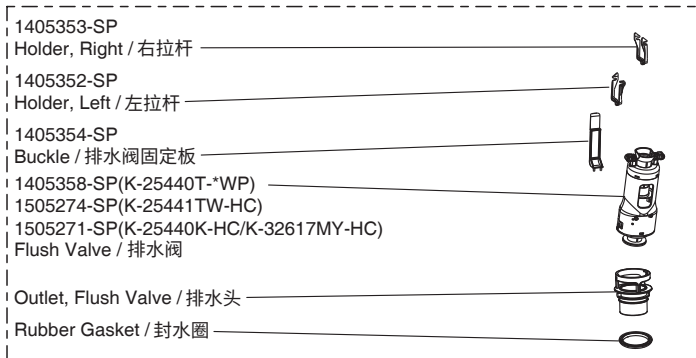
**Tank Assy. / 水箱组件**



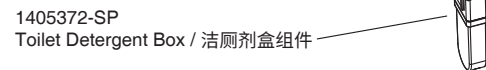
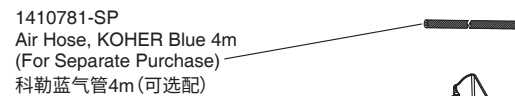
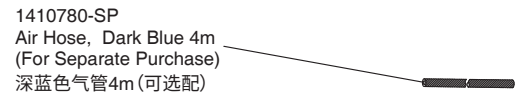
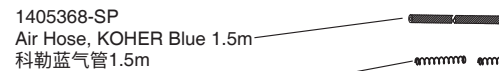
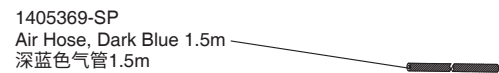
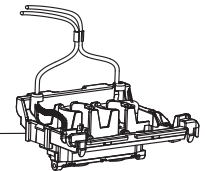
**1372918-SP  
 Outlet Pipe Assy. / 排水管组件**



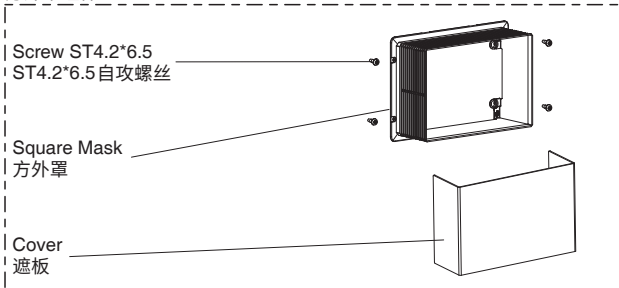
**Flush Valve Assy. / 排水系统组件**



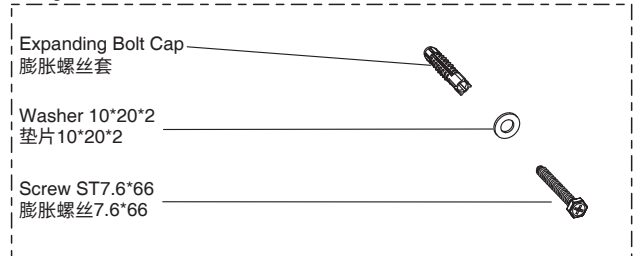
**1372925-SP  
 Lever Assy.  
 杠杆组件**



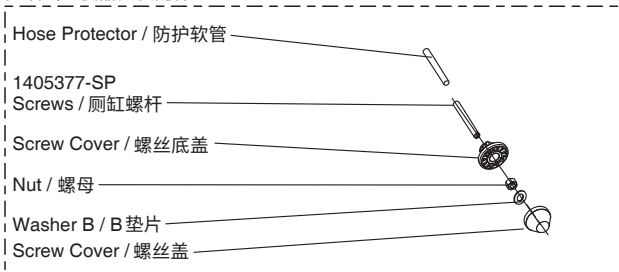
1360118-SP  
Square Mask Assy.  
方外罩组件



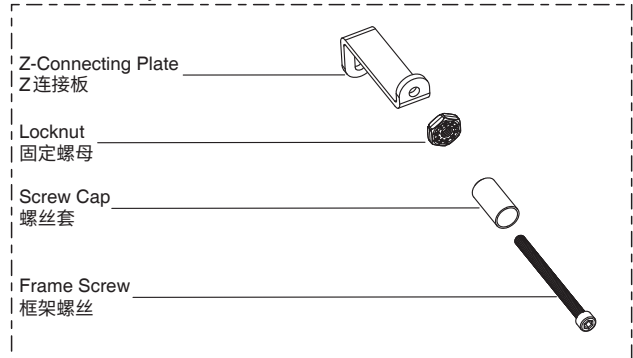
1358174-SP  
Fitting Kits / 膨胀螺丝组件



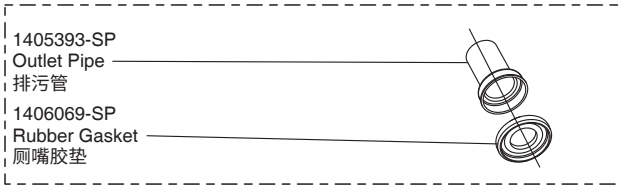
1360138-SP  
Assembly Kit for Wall-Hung Bowl/  
挂墙式坐便器安装配件



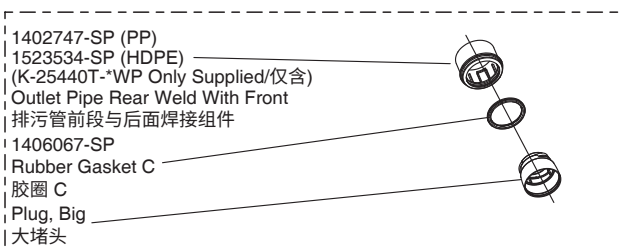
1372927-SP  
Screw Base Assy / 螺丝固定组件



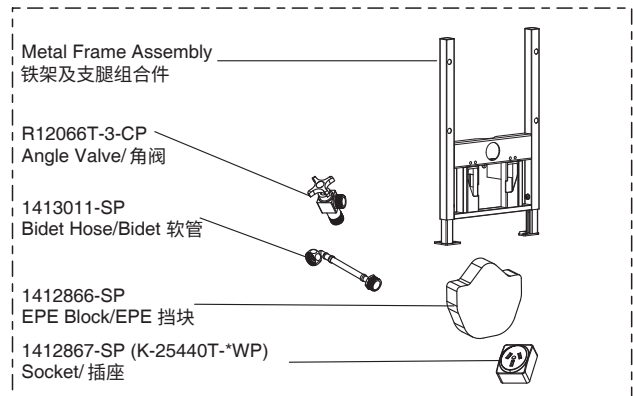
1402748-SP  
Outlet Pipe Assy. For VC  
陶瓷排污直管组件



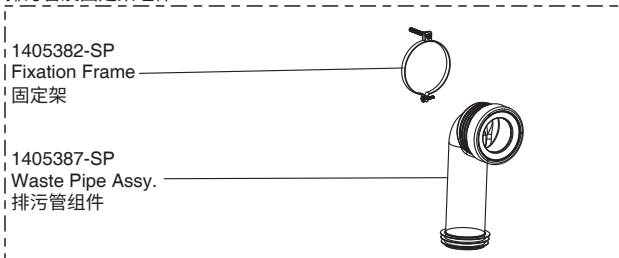
1402746-SP (PP)  
1523533-SP (HDPE) (K-25440T-\*WP Only Supplied/仅含)  
Waste Pipe Assy. P-trap  
排污管组件横排



Fixation Frame Assembly  
铁架组合件



1397258-SP  
Waste Pipe Assy With Fixation Frame  
排污管及固定架组件



1365372-SP  
Support Foot, Left  
左支腿235mm

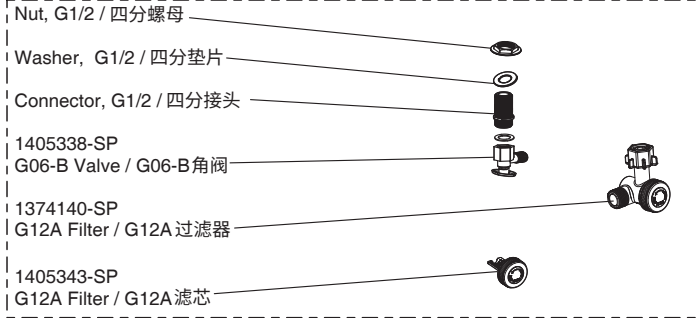
1365371-SP  
Support Foot, Right  
右支腿235mm

1409101-SP  
Support Foot, Left  
(For Separate Purchase)  
左支腿400mm(可选配)

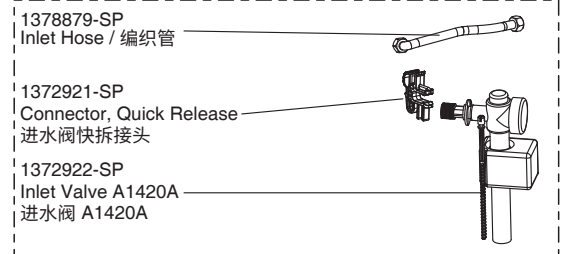
1409102-SP  
Support Foot, Right  
(For Separate Purchase)  
右支腿400mm(可选配)

**Note:** -\* is the code for wall-hung or wall-faced toilet series that in-wall tank can match with, which may represent VL, RU.  
**注:** -\* 为入墙水箱可匹配的挂墙马桶或落地马桶产品系列代码,有 VL、RU 等系列。

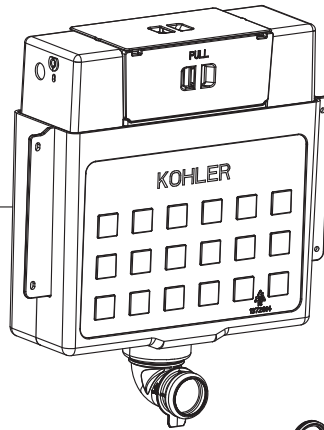
**Inlet Mounting Kit / 进水安装组件**



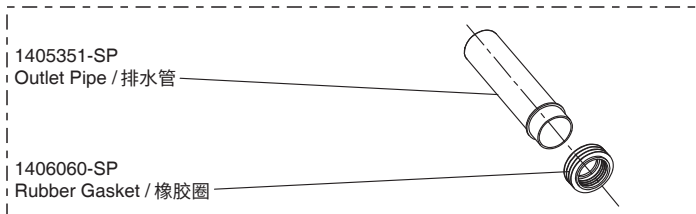
**1372920-SP Fill Valve Assy./ 进水阀组件**



**Tank Assy. / 水箱组件**



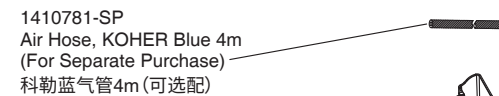
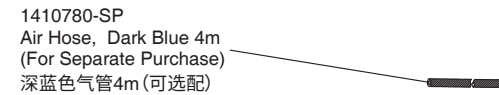
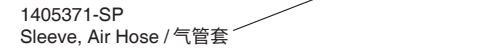
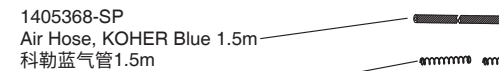
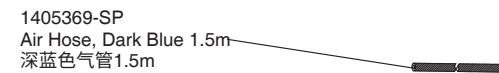
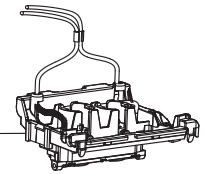
**1372918-SP  
Outlet Pipe Assy. / 排水管组件**



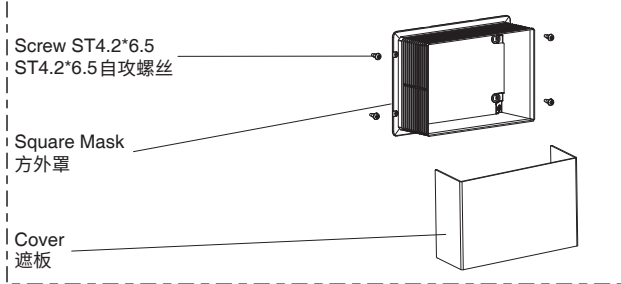
**Flush Valve Assy. / 排水系统组件**



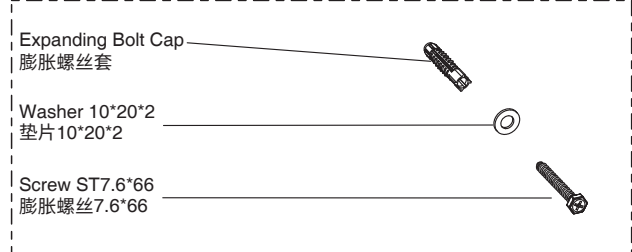
**1372925-SP  
Lever Assy. / 杠杆组件**



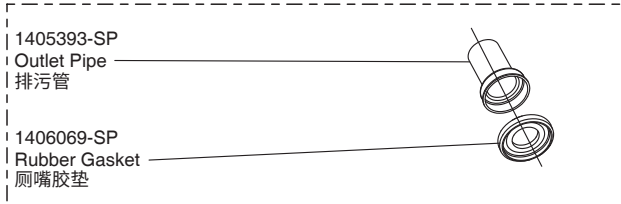
1360118-SP  
Square Mask Assy.  
方外罩组件



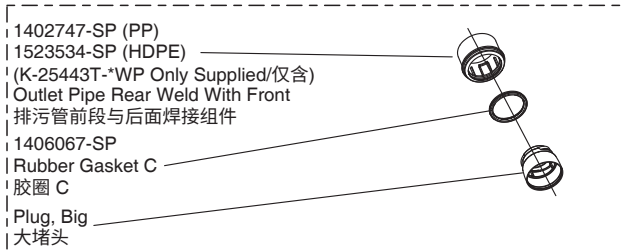
1358174-SP  
Fitting Kits / 膨胀螺丝组件



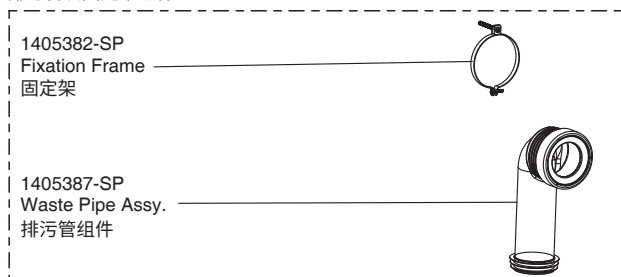
1402748-SP  
Outlet Pipe Assy. For VC  
陶瓷排污直管组件



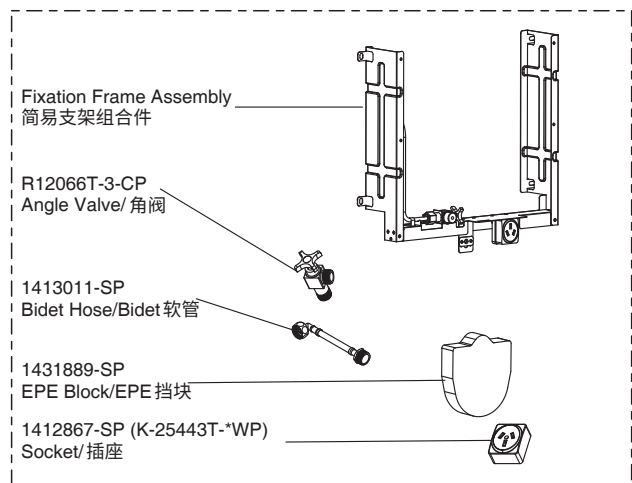
1402746-SP (PP)  
1523533-SP (HDPE) (K-25443T-\*WP Only Supplied/仅含)  
Waste Pipe Assy. P-trap  
排污管组件横排



1397258-SP  
Waste Pipe Assy. With Fixation Frame  
排污管及固定架组件



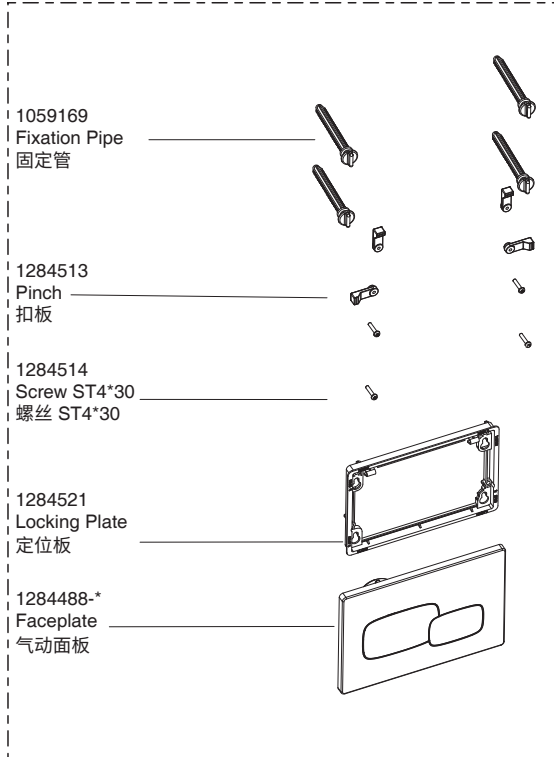
Fixation Frame Assembly  
简易支架组合件



**Note:** -\* is the code for wall-hung or wall-faced toilet series that in-wall tank can match with, which may represent VL, RU.  
**注:** -\* 为入墙水箱可匹配的挂墙马桶或落地马桶产品系列代码,有 VL、RU 等系列。

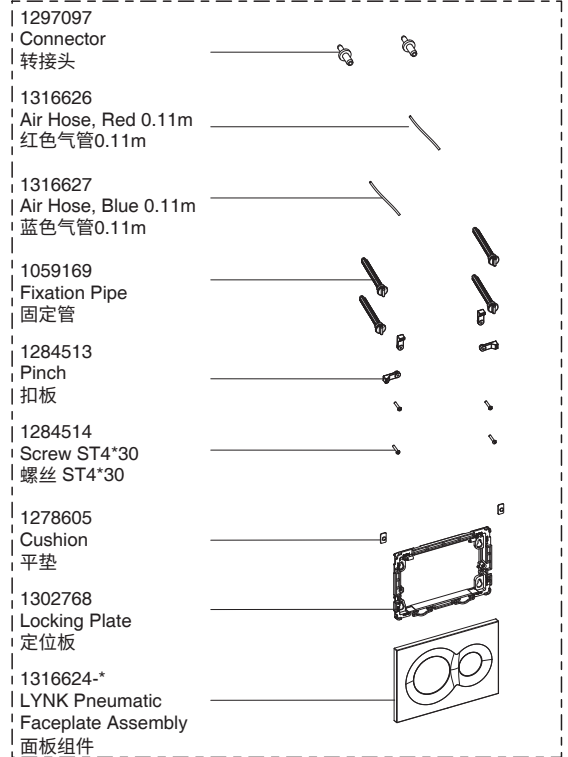
K-20341T-PNE-\*

PEBBLE Pneumatic In-Wall Tank Faceplate  
佩欧珀入墙式隐藏水箱面板 (气动版)



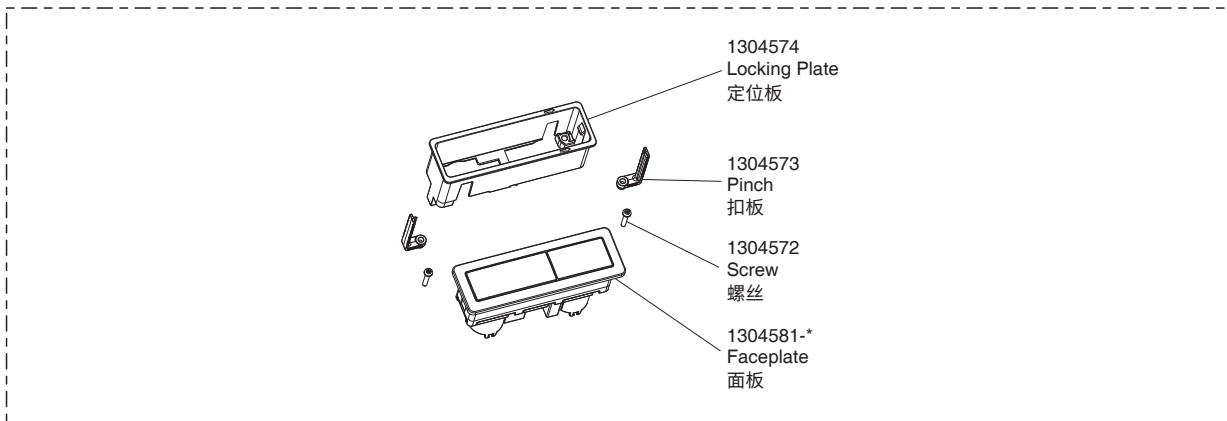
K-75890T-PNE-\*

LYNK Pneumatic Faceplate  
灵珂气动隐藏水箱面板



K-23055T-PNE-\*

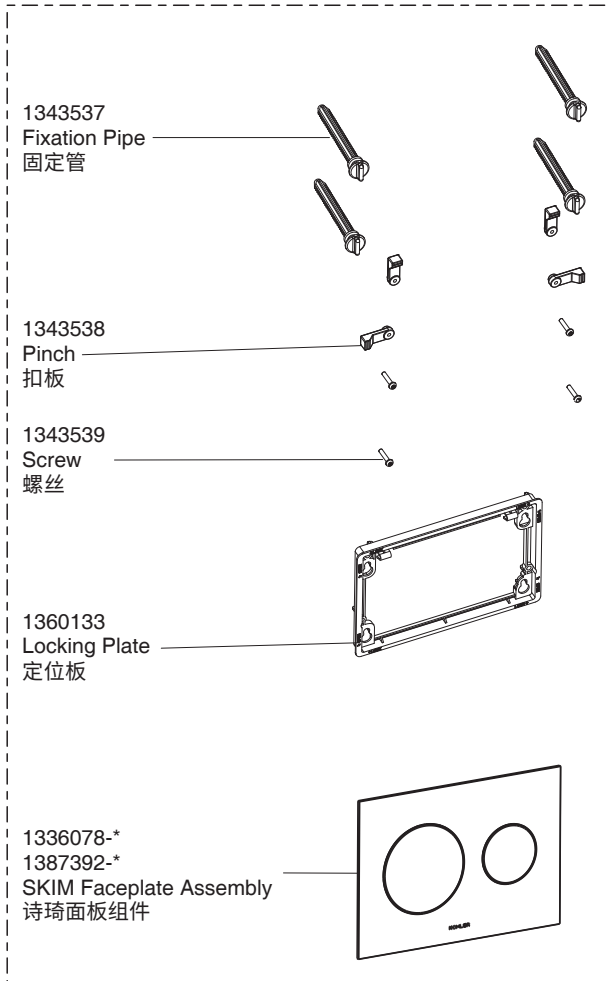
MODERN Life Small Faceplate  
明莱隐藏式水箱面板



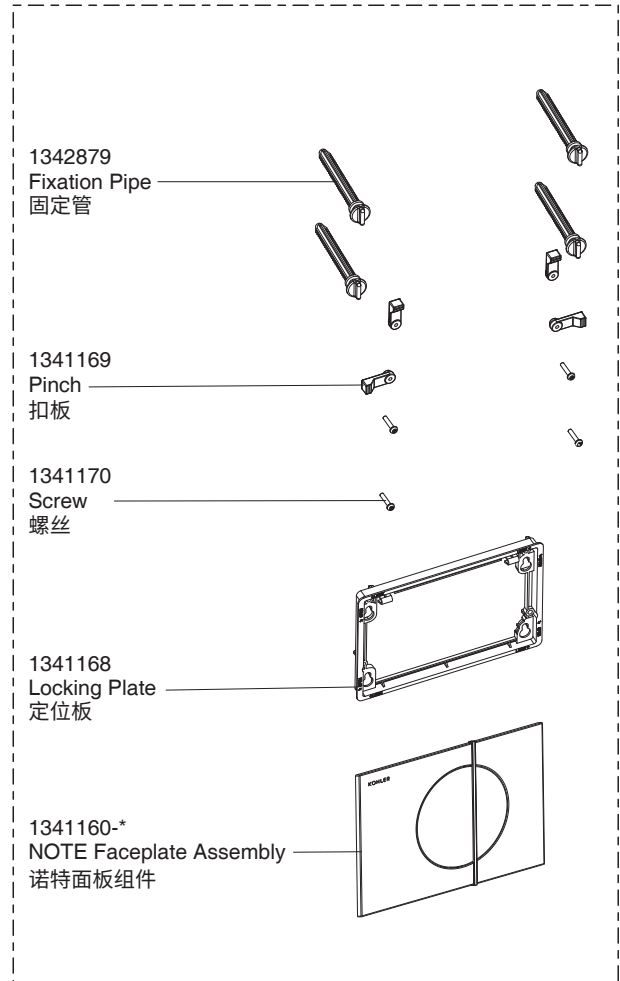
Color code (-\*) or finish (-\*\*) must be specified when ordering.

订购时请说明颜色代码 (-\*) 或表面处理 (-\*\*)

K-24149T\*/K-24151T\*  
SKIM PNE IWT Faceplate  
诗琦气动隐藏水箱面板



K-75891T-PNE\*  
NOTE Pneumatic In-Wall Tank Faceplate  
诺特气动隐藏水箱面板



Color code (-\*) or finish (-\*\*) must be specified when ordering.

订购时请说明颜色代码 (-\*) 或表面处理 (-\*\*)